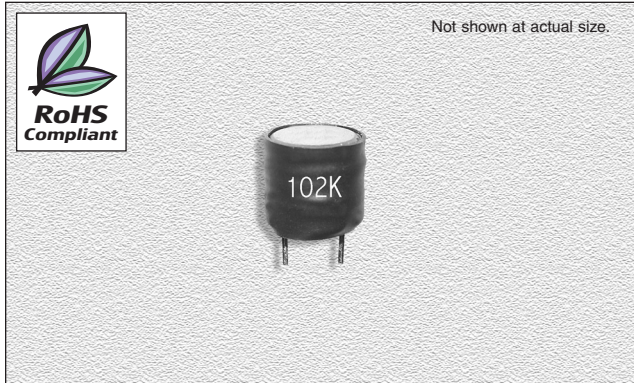


CTRFB1010F Series

From 12 μH to 18,000 μH



CHARACTERISTICS

Description: Radial leaded fixed inductor (UL sleeved)

Applications: Ideal as a choke coil for noise filtering.

Operating Temperature: -40°C to +85°C

ΔT : typically above 25°C ambient.

Inductance Tolerance: $\pm 10\%$

Inductance Drop: 10% typically at rated Isat

Testing: Inductance is tested on an HP4284A at 100 kHz, 0.1Vrms

Packaging: Bulk packaging

Marking: UL sleeving marked with inductance code

Miscellaneous: RoHS Compliant.

Additional Information: Additional electrical & physical information available upon request

Samples available. See website for ordering information.

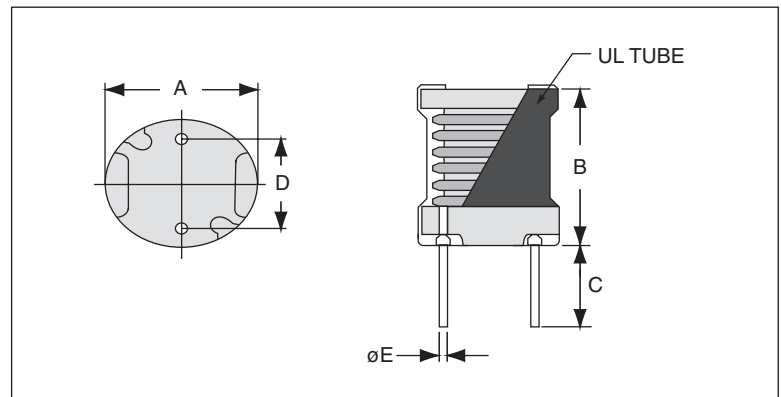
SPECIFICATIONS

Parts are available in $\pm 10\%$ tolerance only.

Part Number	Inductance ($\mu\text{H} \pm 10\%$)	L Test Freq. (kHz)	DCR Max. (Ω)	SRF Typ. (MHz)	Isat (A)	Irms 20° Rise (A)	Irms 40° Rise (A)
CTRFB1010F-120K	12	100	.025	20	5.60	4.00	5.70
CTRFB1010F-150K	15	100	.028	19	5.00	3.75	5.40
CTRFB1010F-180K	18	100	.030	16	4.60	3.50	5.00
CTRFB1010F-220K	22	100	.042	15	4.10	3.30	4.70
CTRFB1010F-270K	27	100	.046	12	3.70	3.00	4.40
CTRFB1010F-330K	33	100	.055	11	3.40	2.80	4.10
CTRFB1010F-390K	39	100	.075	10.3	3.10	2.60	3.80
CTRFB1010F-470K	47	100	.082	9.5	2.80	2.40	3.50
CTRFB1010F-560K	56	100	.090	8.6	2.60	2.20	3.20
CTRFB1010F-680K	68	100	.120	7.5	2.30	2.00	2.80
CTRFB1010F-820K	82	100	.140	7.0	2.10	1.90	2.50
CTRFB1010F-101K	100	100	.150	7.0	1.90	1.70	2.20
CTRFB1010F-121K	120	100	.210	6.0	1.75	1.60	2.10
CTRFB1010F-151K	150	100	.245	5.0	1.60	1.50	1.90
CTRFB1010F-181K	180	100	.300	5.0	1.45	1.40	1.80
CTRFB1010F-221K	220	100	.360	4.3	1.30	1.30	1.70
CTRFB1010F-271K	270	100	.490	4.0	1.20	1.20	1.60
CTRFB1010F-331K	330	100	.570	3.5	1.10	1.00	1.40
CTRFB1010F-391K	390	100	.620	3.0	1.00	0.90	1.30
CTRFB1010F-471K	470	100	.810	3.0	0.90	0.80	1.20
CTRFB1010F-561K	560	100	.920	2.3	0.80	0.70	1.05
CTRFB1010F-681K	680	100	1.20	2.0	0.75	0.60	0.93
CTRFB1010F-821K	820	100	1.35	2.0	0.68	0.55	0.80
CTRFB1010F-102K	1000	100	1.45	2.0	0.60	0.50	0.67
CTRFB1010F-122K	1200	100	2.10	1.6	0.55	0.47	0.63
CTRFB1010F-152K	1500	100	2.40	1.4	0.50	0.44	0.59
CTRFB1010F-182K	1800	100	3.50	1.3	0.45	0.41	0.55
CTRFB1010F-222K	2200	100	4.10	1.3	0.41	0.38	0.50
CTRFB1010F-272K	2700	100	5.20	1.2	0.37	0.35	0.47
CTRFB1010F-332K	3300	100	6.00	1.0	0.34	0.32	0.43
CTRFB1010F-392K	3900	100	7.00	0.9	0.31	0.29	0.39
CTRFB1010F-472K	4700	100	8.50	0.8	0.28	0.25	0.35
CTRFB1010F-562K	5600	100	10.0	0.8	0.26	0.23	0.30
CTRFB1010F-682K	6800	100	13.0	0.7	0.23	0.19	0.26
CTRFB1010F-822K	8200	100	15.8	0.6	0.21	0.16	0.22
CTRFB1010F-103K	10000	100	19.0	0.6	0.19	0.13	0.18
CTRFB1010F-123K	12000	100	22.0	0.5	0.17	0.12	0.17
CTRFB1010F-153K	15000	100	29.0	0.5	0.16	0.11	0.15
CTRFB1010F-183K	18000	100	33.0	0.4	0.14	0.10	0.13

PHYSICAL DIMENSIONS

Size	A Max.	B Max.	C	D	E
mm	11.0	11.5	4.0 \pm 0.5	6.0 \pm 0.5	0.8
inches	0.43	0.45	0.16 \pm 0.02	0.24 \pm 0.02	0.031



08.06.07